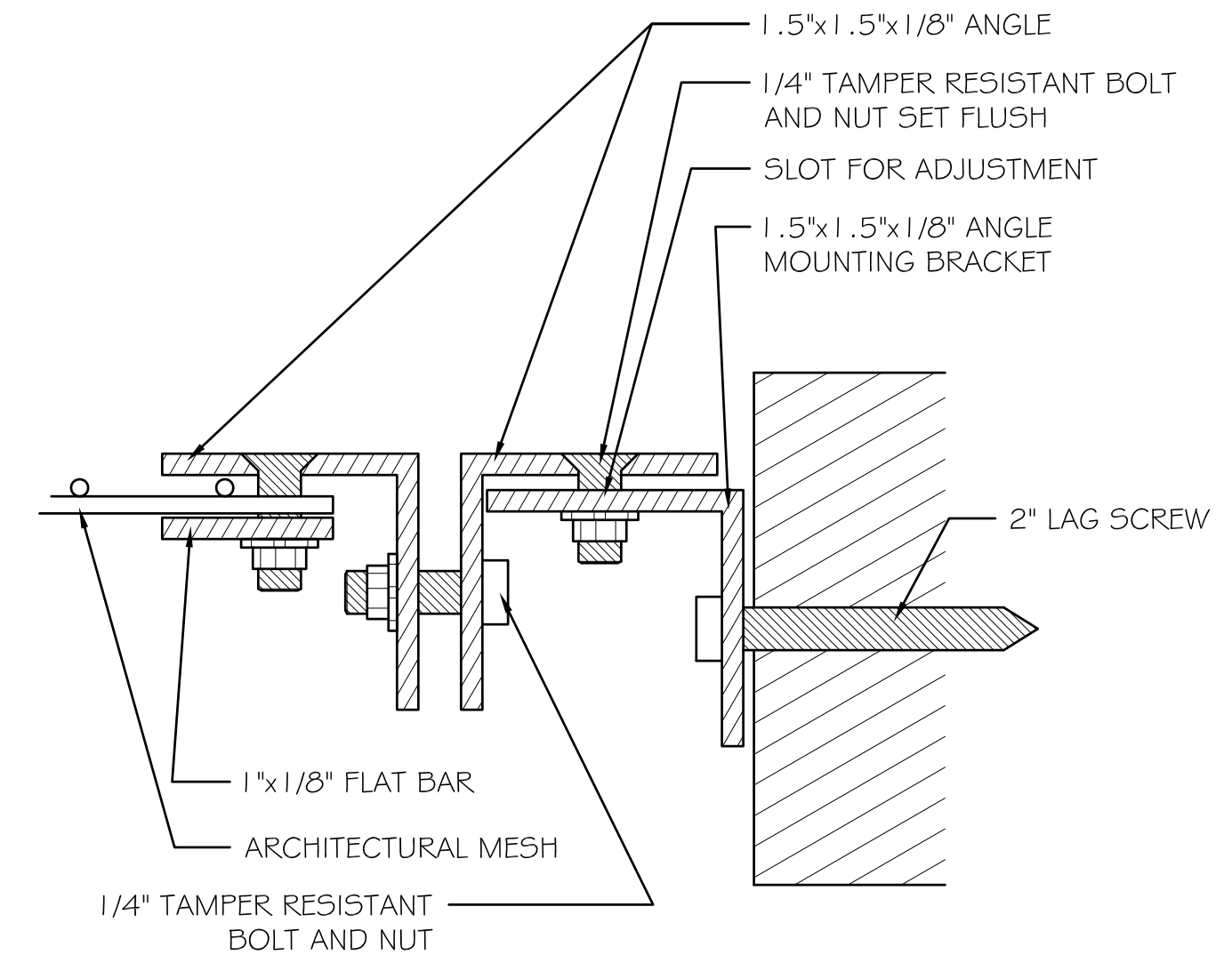


**Ledyard
Town Green
Improvements**

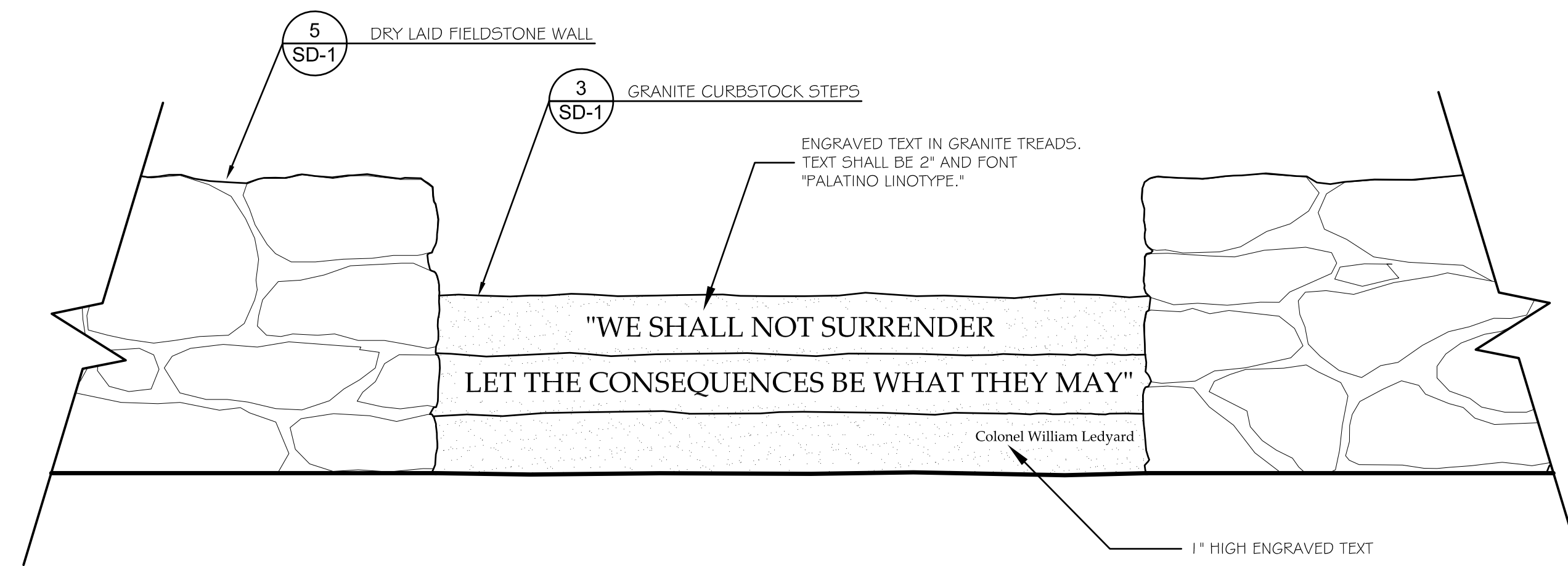
Route 117
Ledyard, CT 06339

LANDSCAPE
KENT+FROST
ARCHITECTURE
1 HIGH STREET
MYSTIC, CT 06355
860.572.0784
f860.572.7047



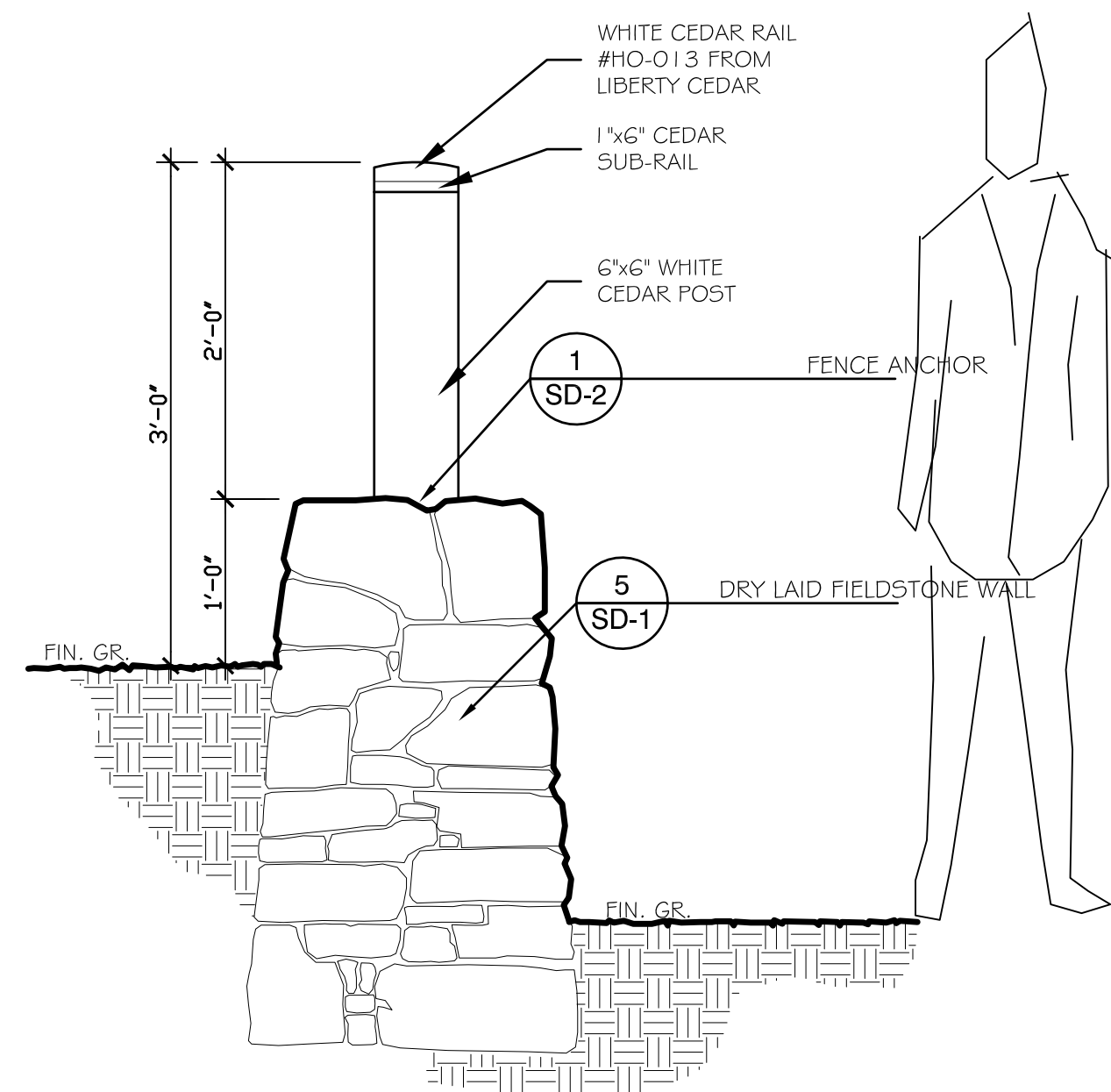
3 ANGLE IRON FRAME
1" = 1"

323126-10



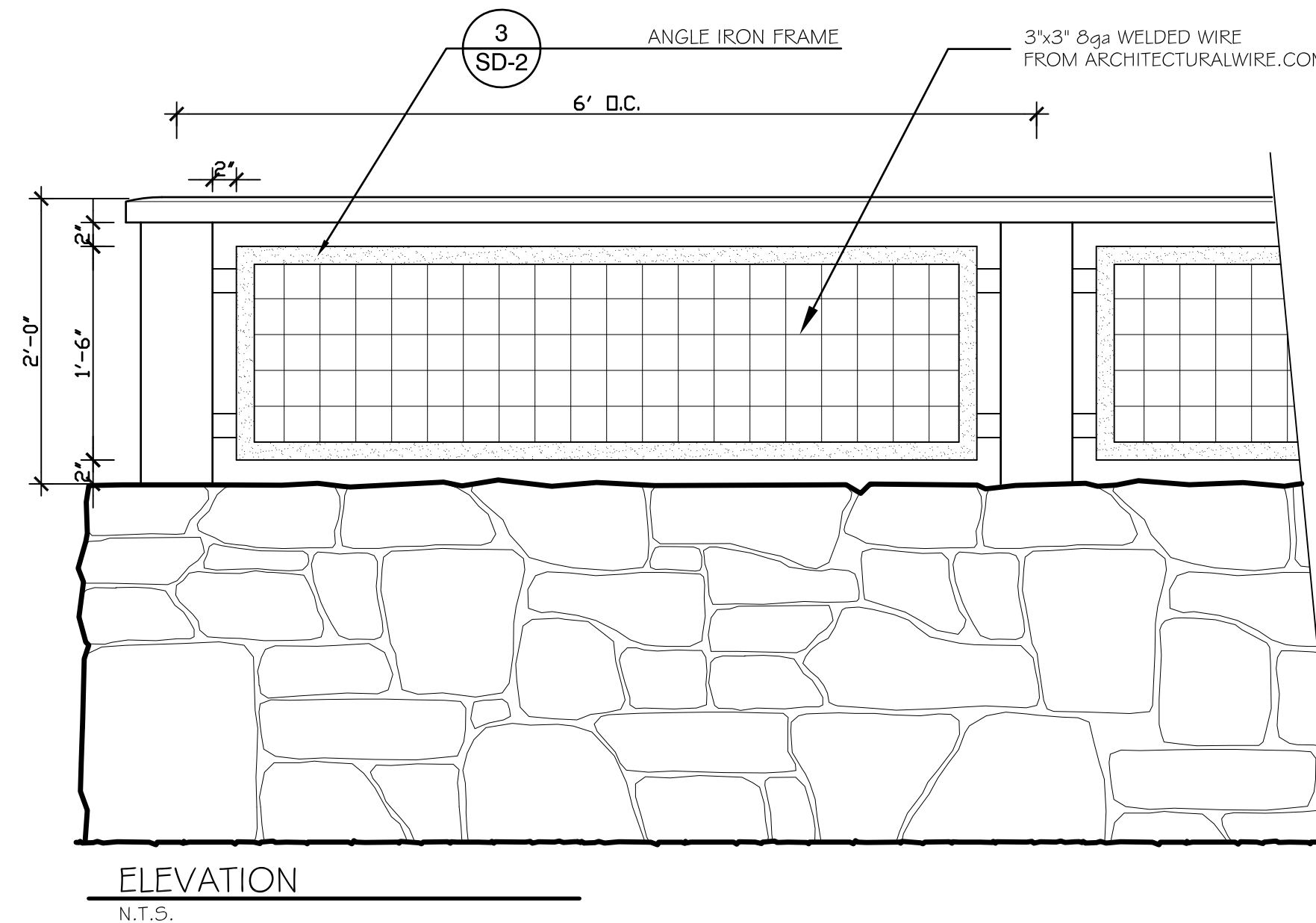
2 GRANITE STEP ENTRANCE ELEVATION
1" = 1'-0"

P-2010-013-04

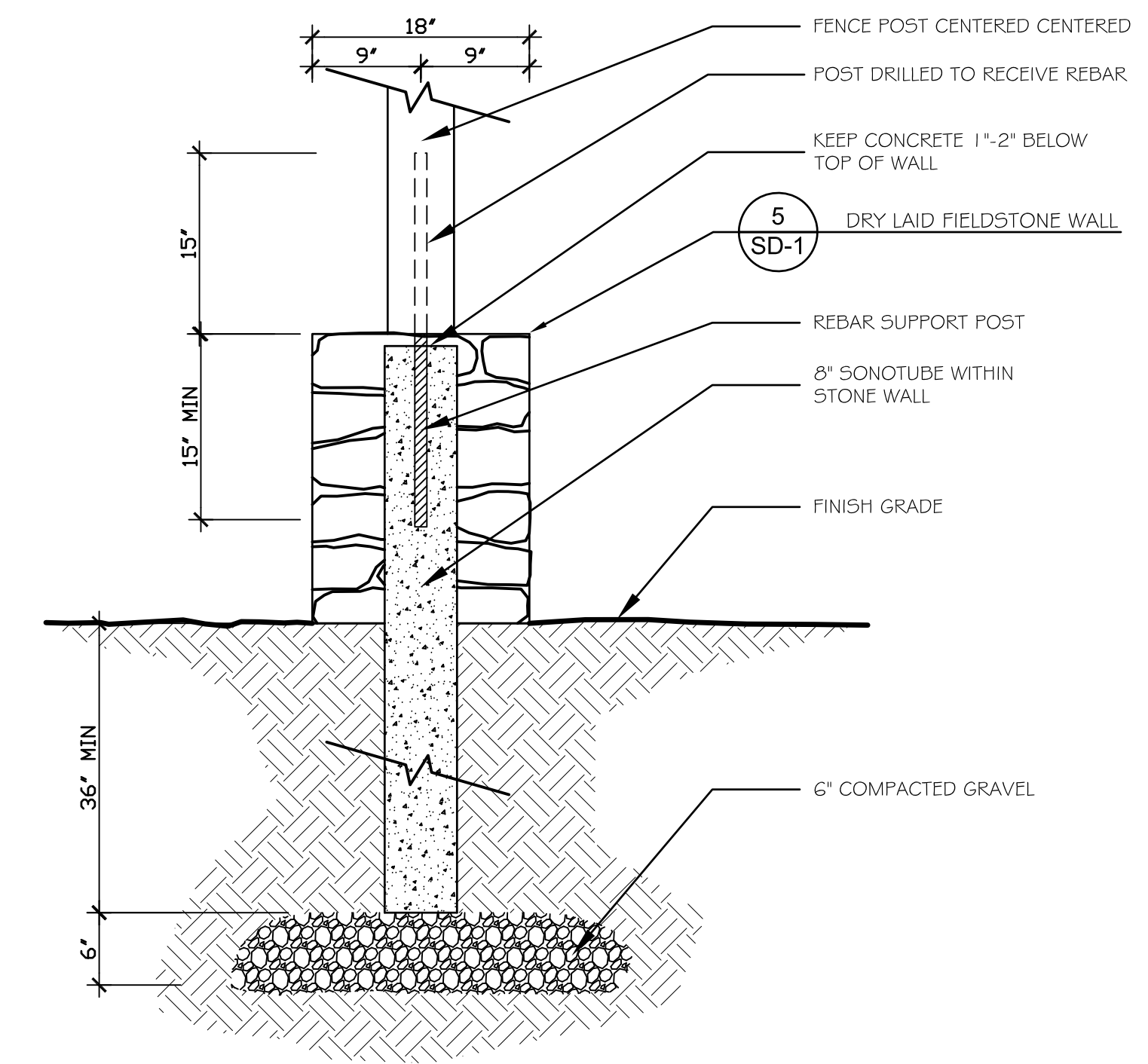


4 STONE WALL WITH FENCE
1" = 1'-0"

044113-02



044113-02



1 FENCE ANCHOR
1" = 1'-0"

323106-01

**NOT ISSUED FOR
CONSTRUCTION**

Revisions	Date
1.	
2.	
3.	

Drawing Title
Site Details

Scale
Date 6 December 2010
K-F Project No. 2010013
Drawing No.

SD-2