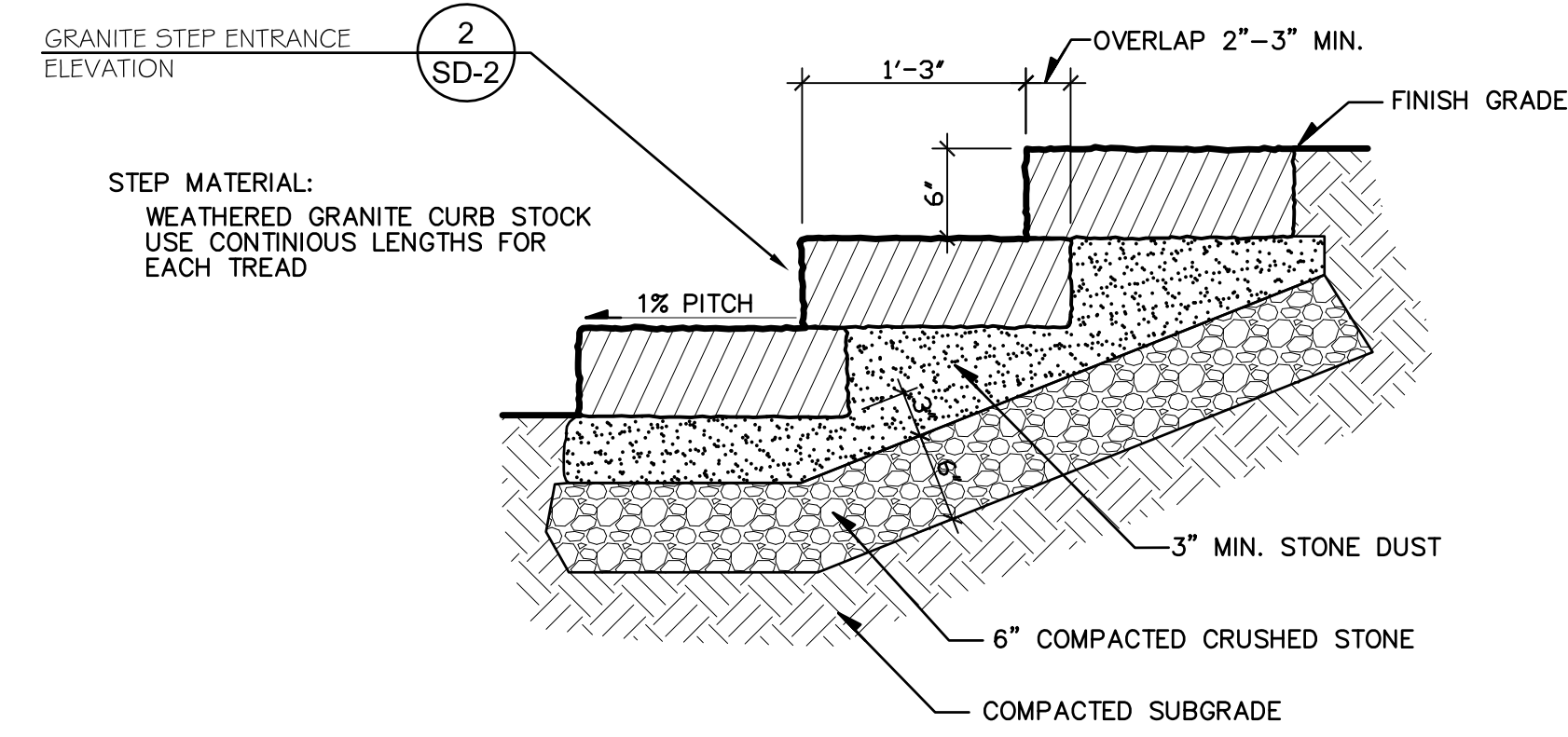


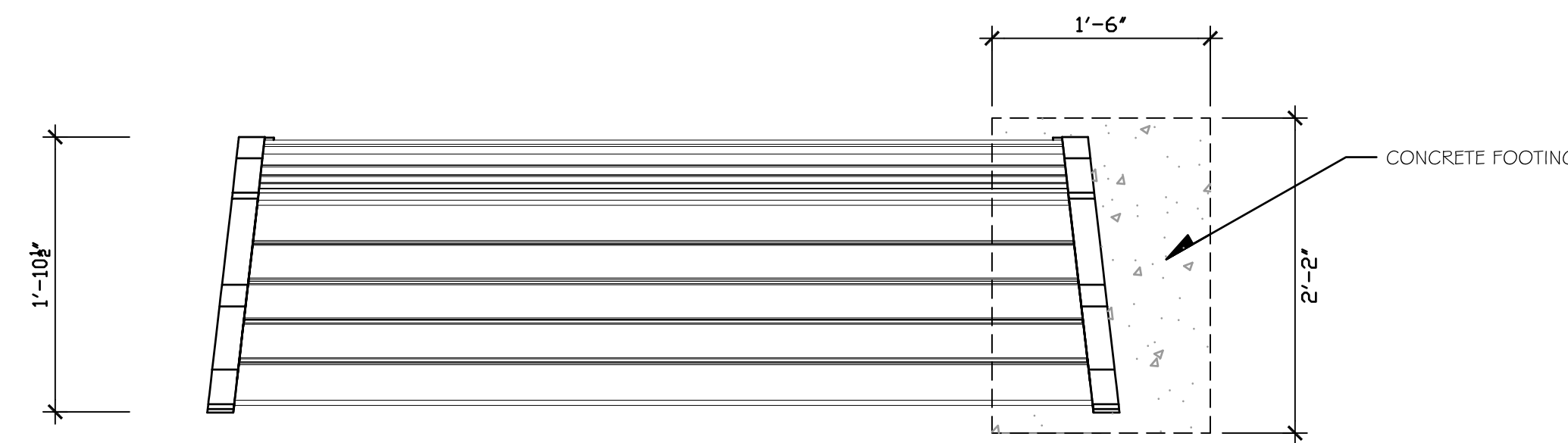
**5 DRY LAID FIELDSTONE WALL**  
1" = 1'-0"

044113-01



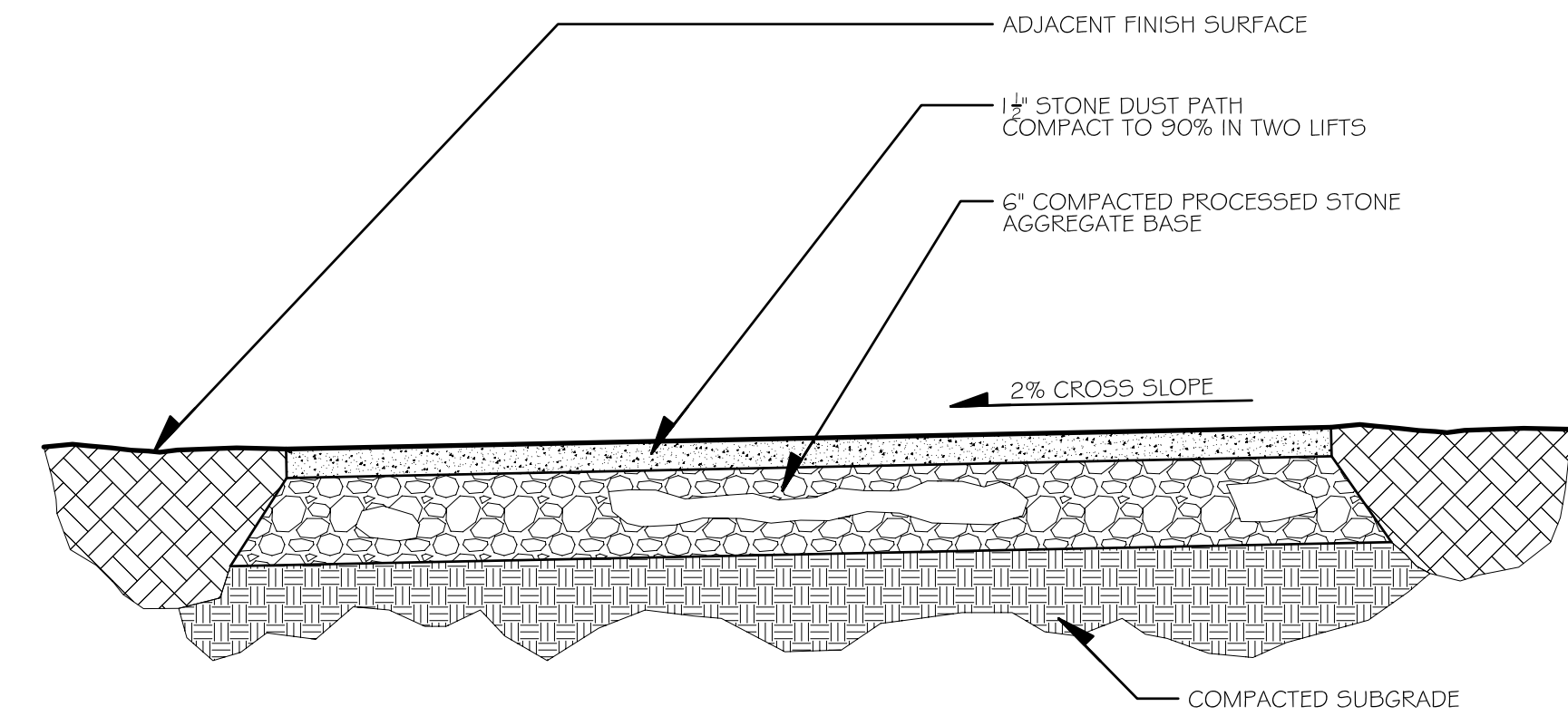
**3 GRANITE CURBSTOCK STEPS**  
1" = 1'-0"

044100-01



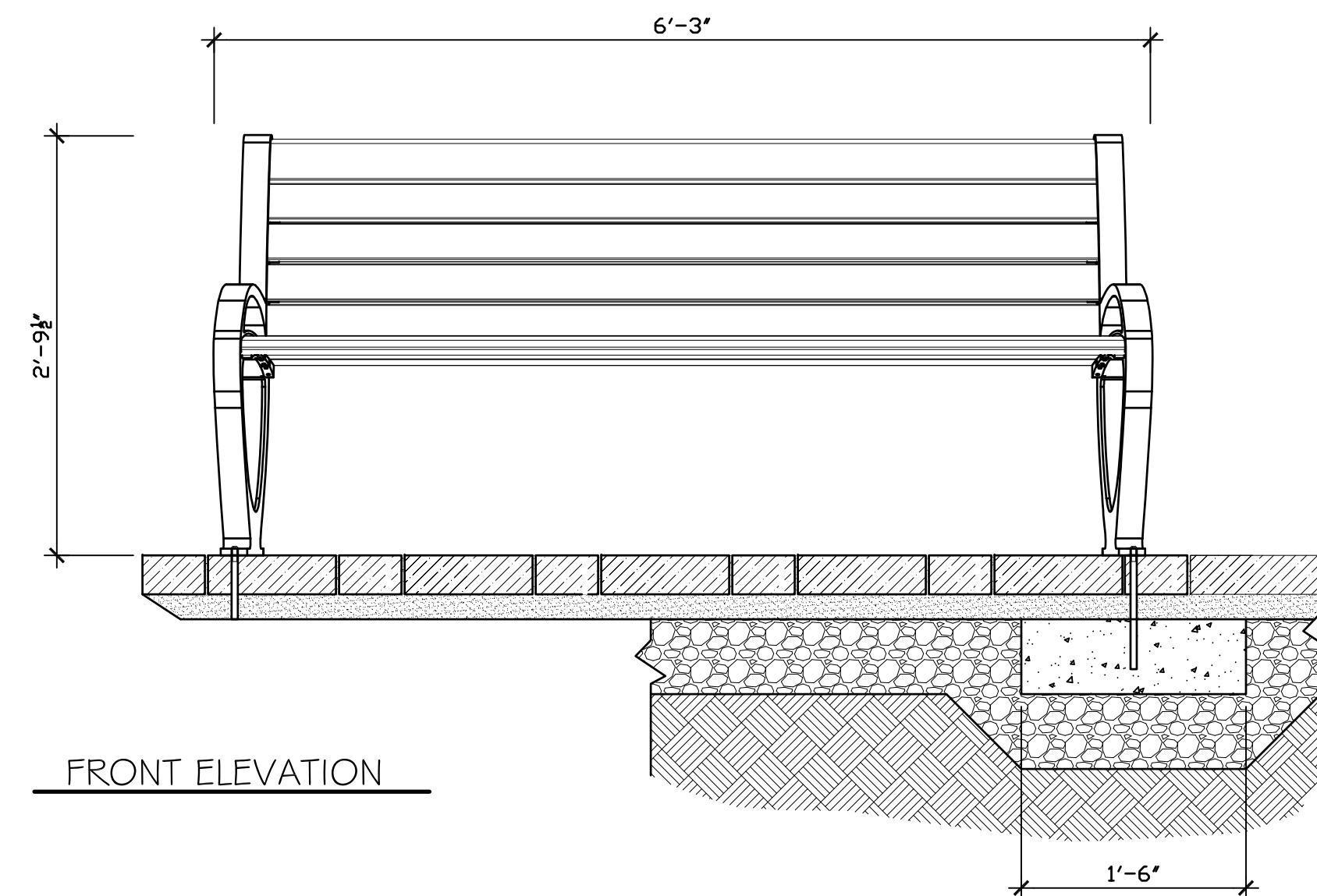
**PLAN VIEW**

- NOTES:**
1. BENCH SHALL BE 6' TRIO BENCH AS MANUFACTURED BY FORMS+SURFACES. (800.451.0410)
  2. WOOD SHALL BE F5C PURE IPE.
  3. FRAME COLOR TO BE STANDARD POWDERCOAT NO-VOC ALUMINUM TEXTURE.



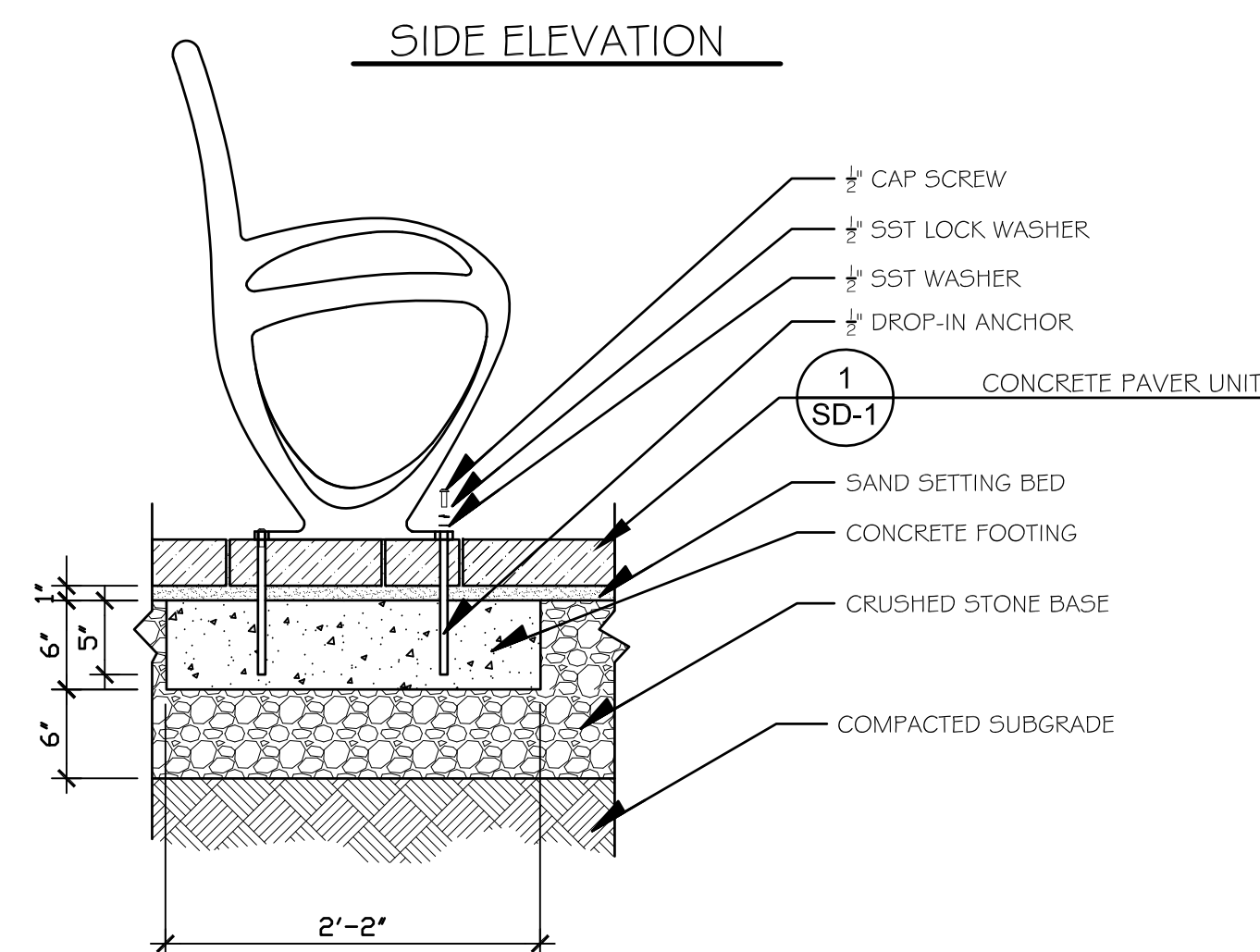
**2 STONE DUST PATH (6')**  
1" = 1'-0"

321516-02



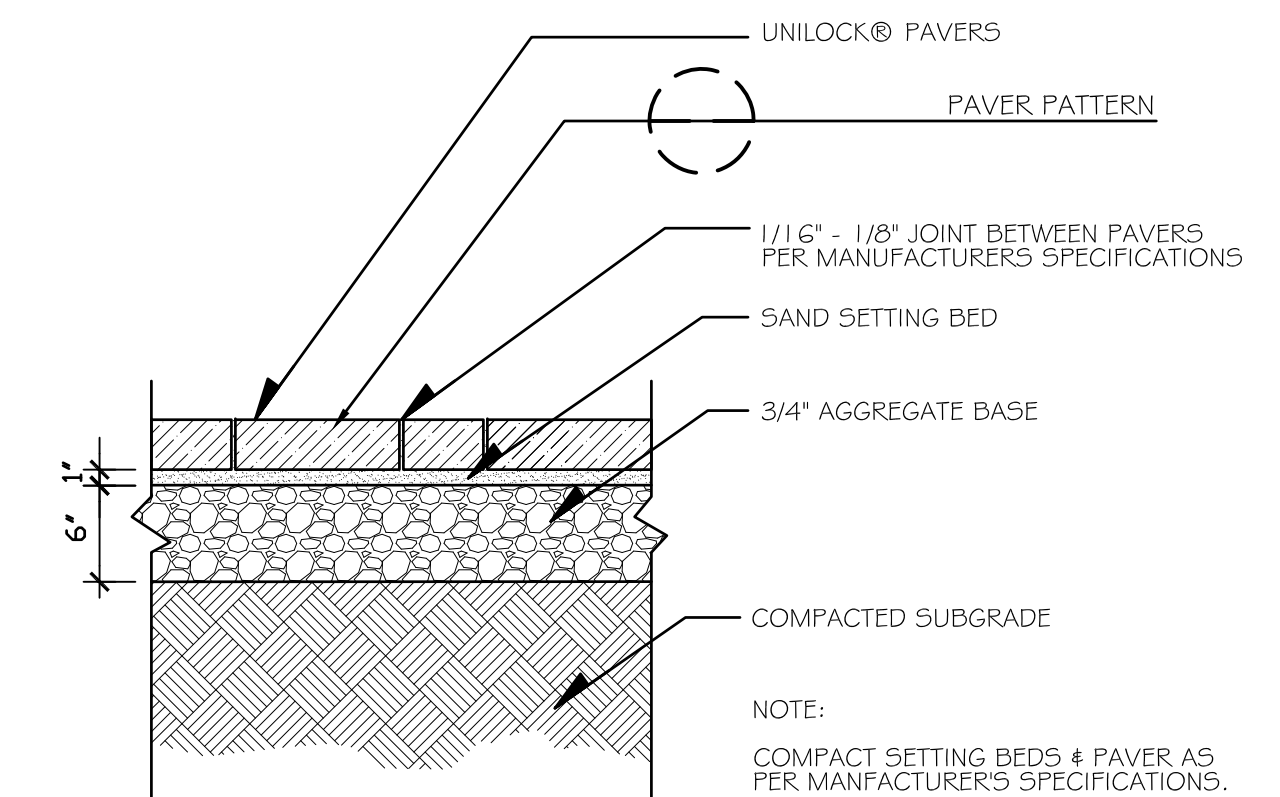
**4 6' WOODEN BENCH**  
1" = 1'-0"

323010-01



**1 CONCRETE PAVER UNIT**  
1" = 1'-0"

321420-01



**NOT ISSUED FOR CONSTRUCTION**

| Revisions | Date |
|-----------|------|
| 1.        |      |
| 2.        |      |
| 3.        |      |

Drawing Title  
**Site Details**

Scale  
Date 6 December 2010  
K-F Project No. 2010013  
Drawing No.

**SD-1**