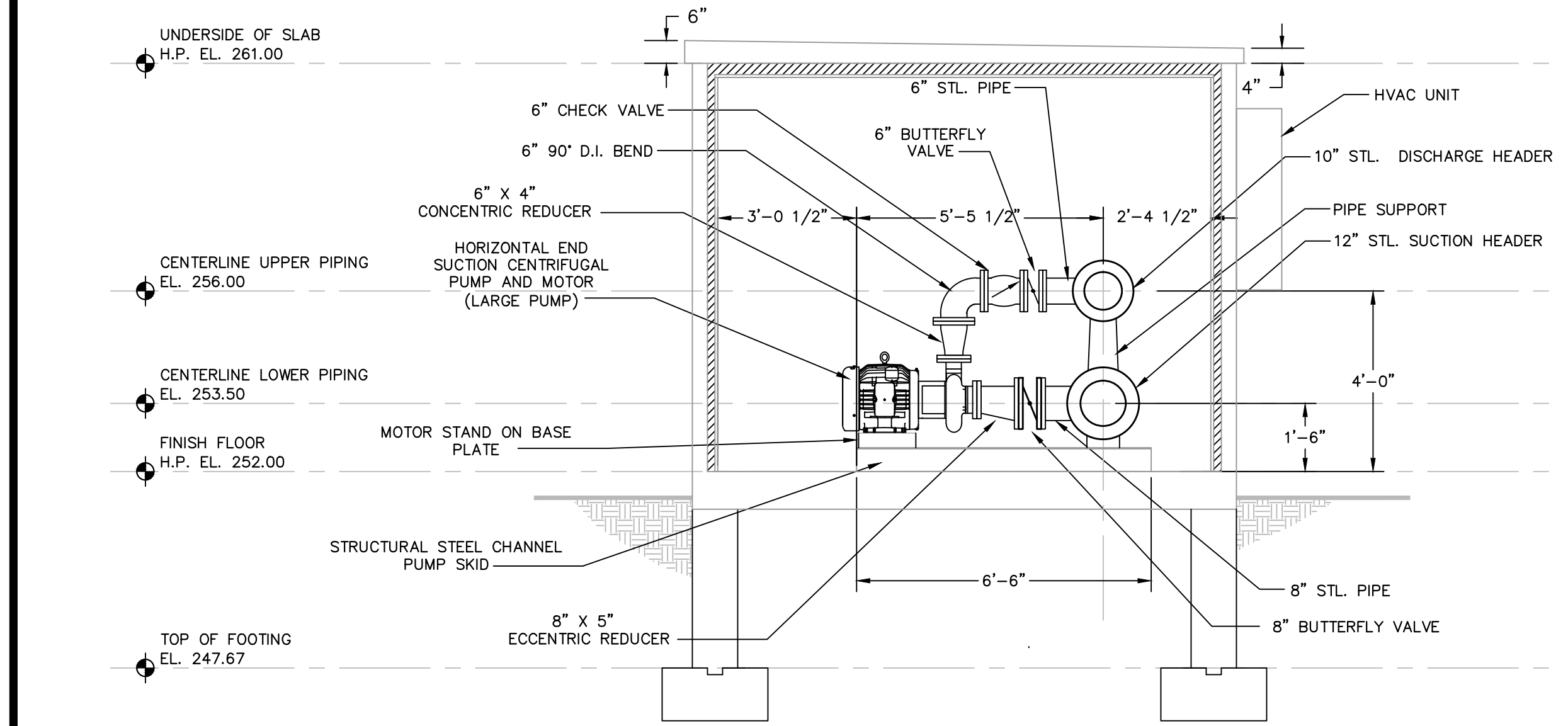
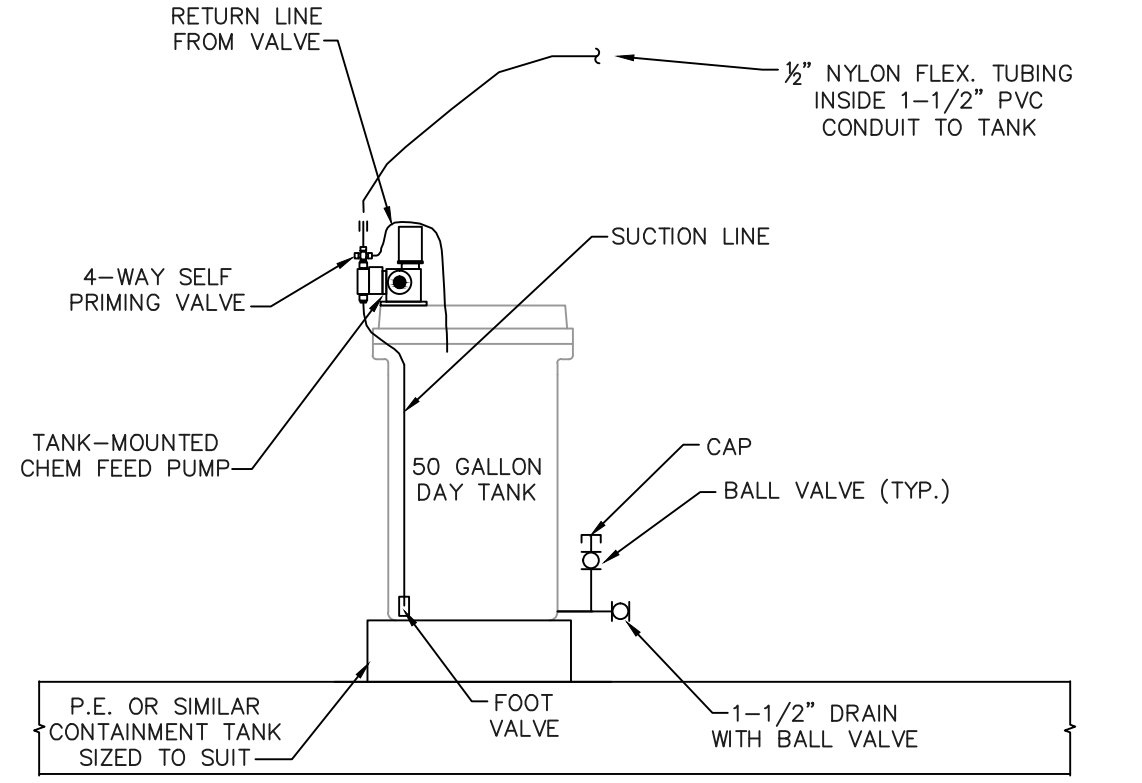


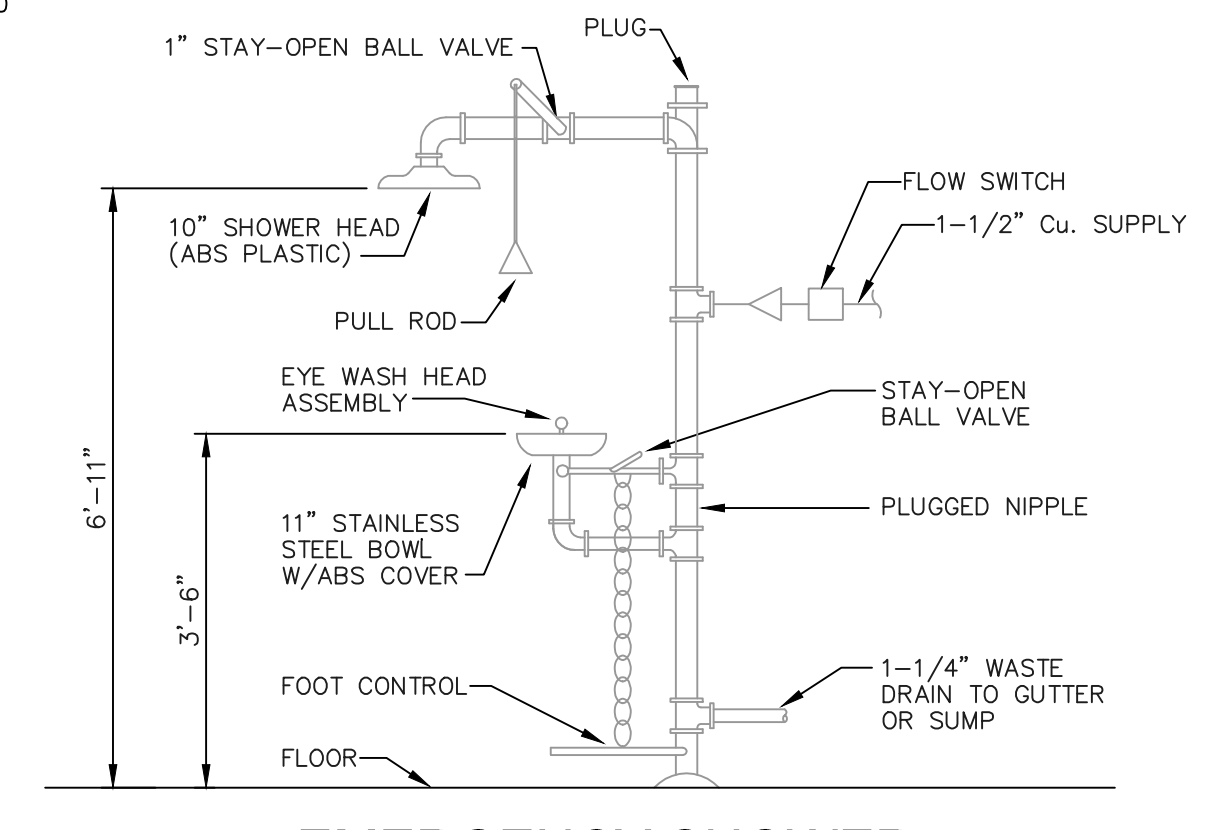
SECTION 2-2
SCALE: 3/8" = 1'-0"



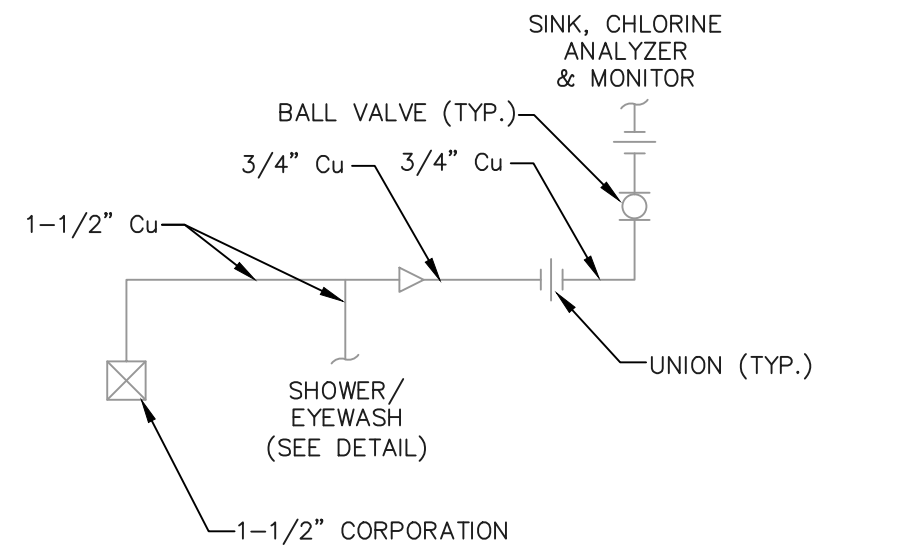
SECTION 3-3
SCALE: 3/8" = 1'-0"



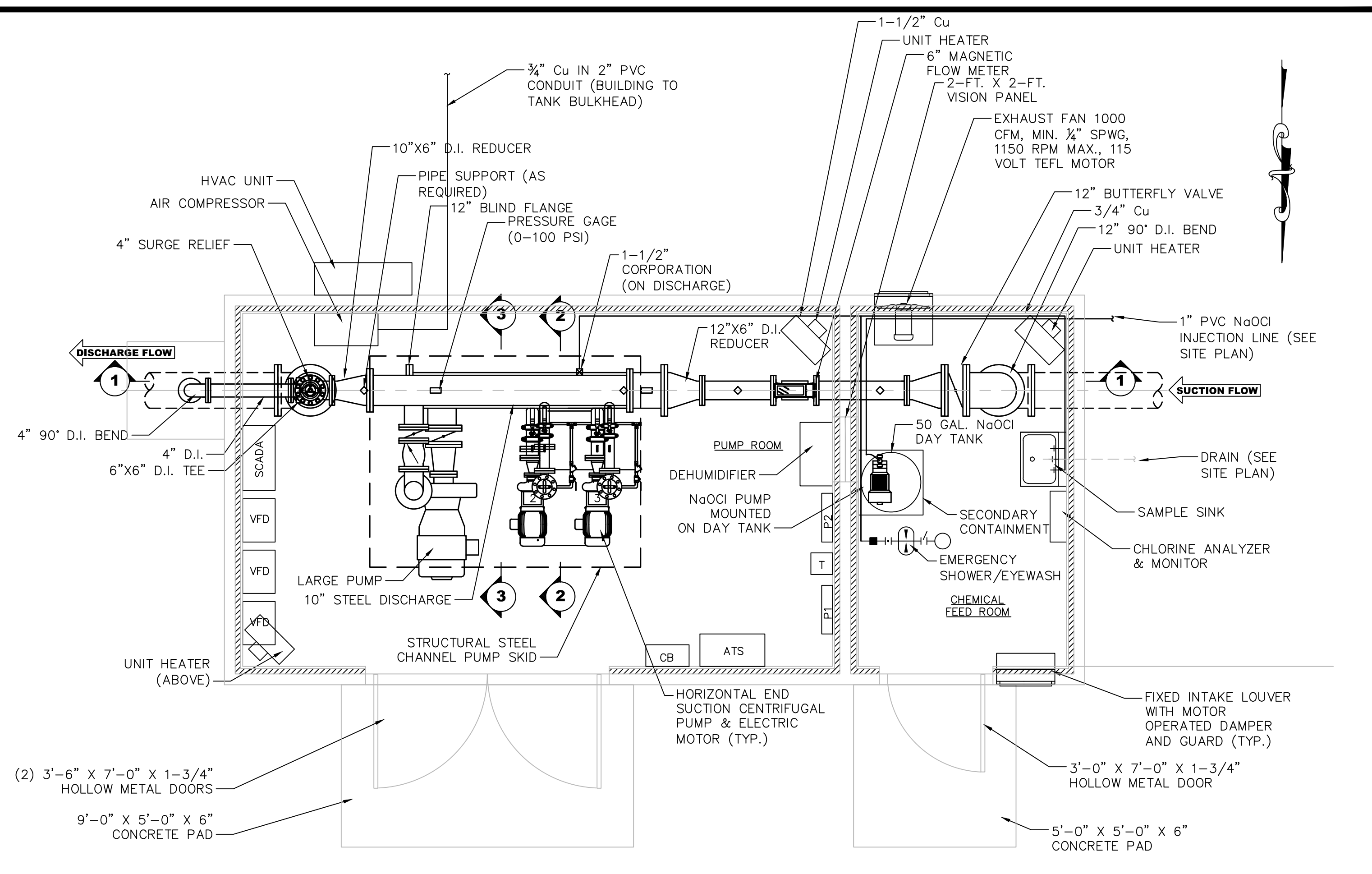
NaOCI PIPING SCHEMATIC
NOT TO SCALE



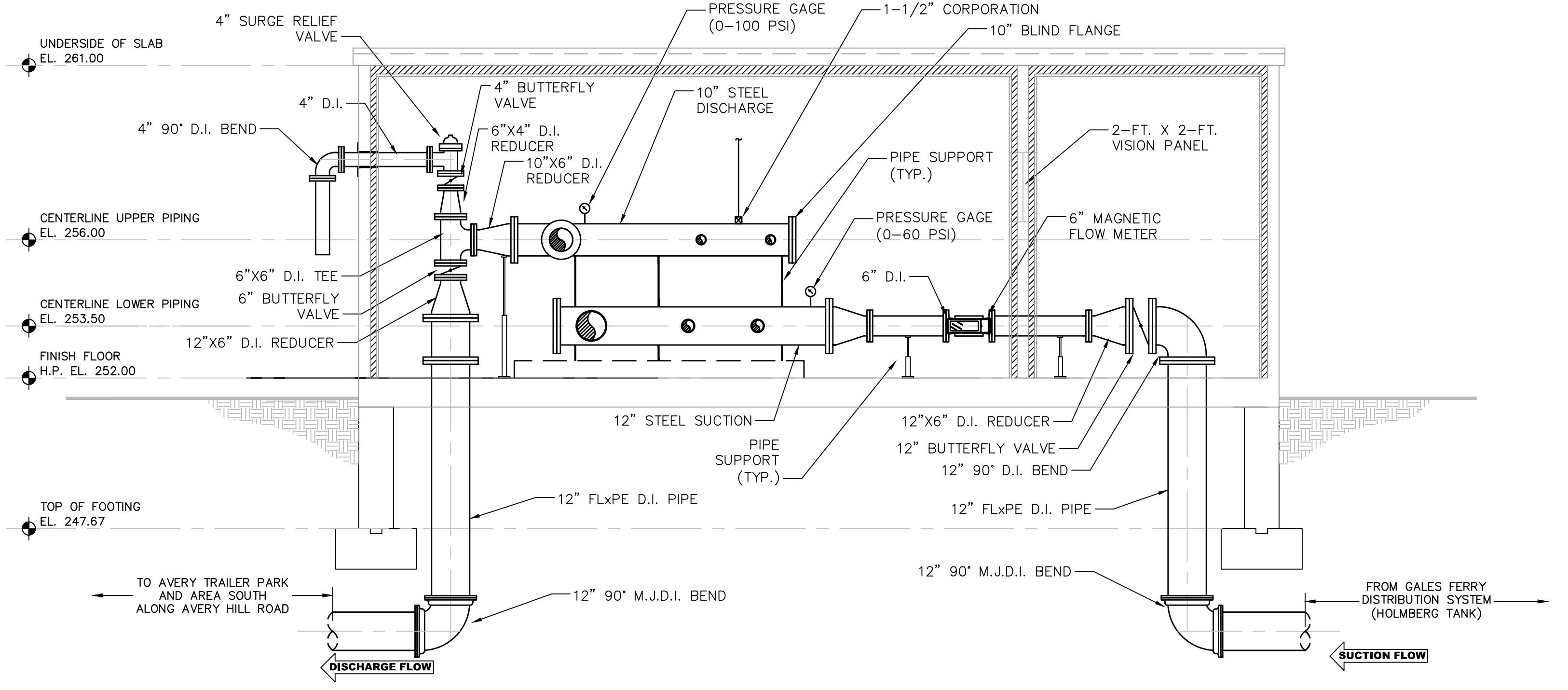
EMERGENCY SHOWER & EYEWASH DETAIL
NOT TO SCALE



PLANT WATER SCHEMATIC
NOT TO SCALE



MECHANICAL PLAN
SCALE: 3/8" = 1'-0"



SECTION 1-1
SCALE: 3/8" = 1'-0"

REVISIONS		
NO.	ITEM	DATE
1	REDESIGN AS NEW BPS	9/27/12
2	GU COMMENTS / TWO BUILDINGS	11/6/12
3	CT DPH SUBMITTAL	12/17/12
4	ISSUED FOR BIDDING	3/7/13
5	ISSUED FOR DPH REVIEW / REBID	4/30/13

AMORY ENGINEERS, P.C.
DUXBURY, MASSACHUSETTS

DESIGNED BY: RSJ/PGB
CHECKED BY: RSJ

FILE NAME: AS SHOWN
JOB NO.: 3331
DATE: 9/27/12

SCALE: AS SHOWN
DWG. NO.: 1650
CONTRACT: 2013-03 (REBID)

WATER POLLUTION CONTROL AUTHORITY
LEDYARD, CONNECTICUT

CONSTRUCTION OF BOOSTER PUMPING STATION
TO SERVE ALJEN HEIGHTS WATER EXTENSION

PLANS AND SECTIONS

MECHANICAL SHEET
3 OF 5

C:\DOCS\ME-1\ADMIN\LOCALS\11\Temp\A\Publication_880\3331_R480_BPS_DES_Sheets_20120.dwg