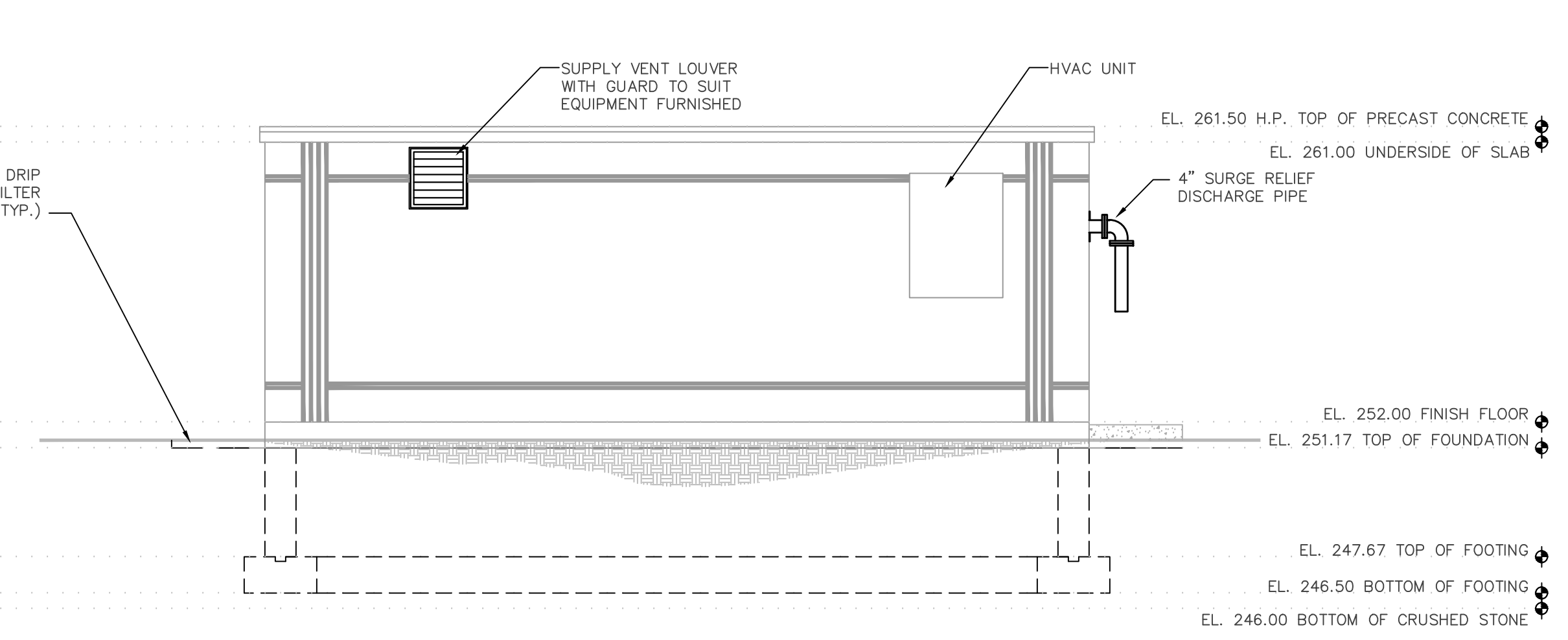
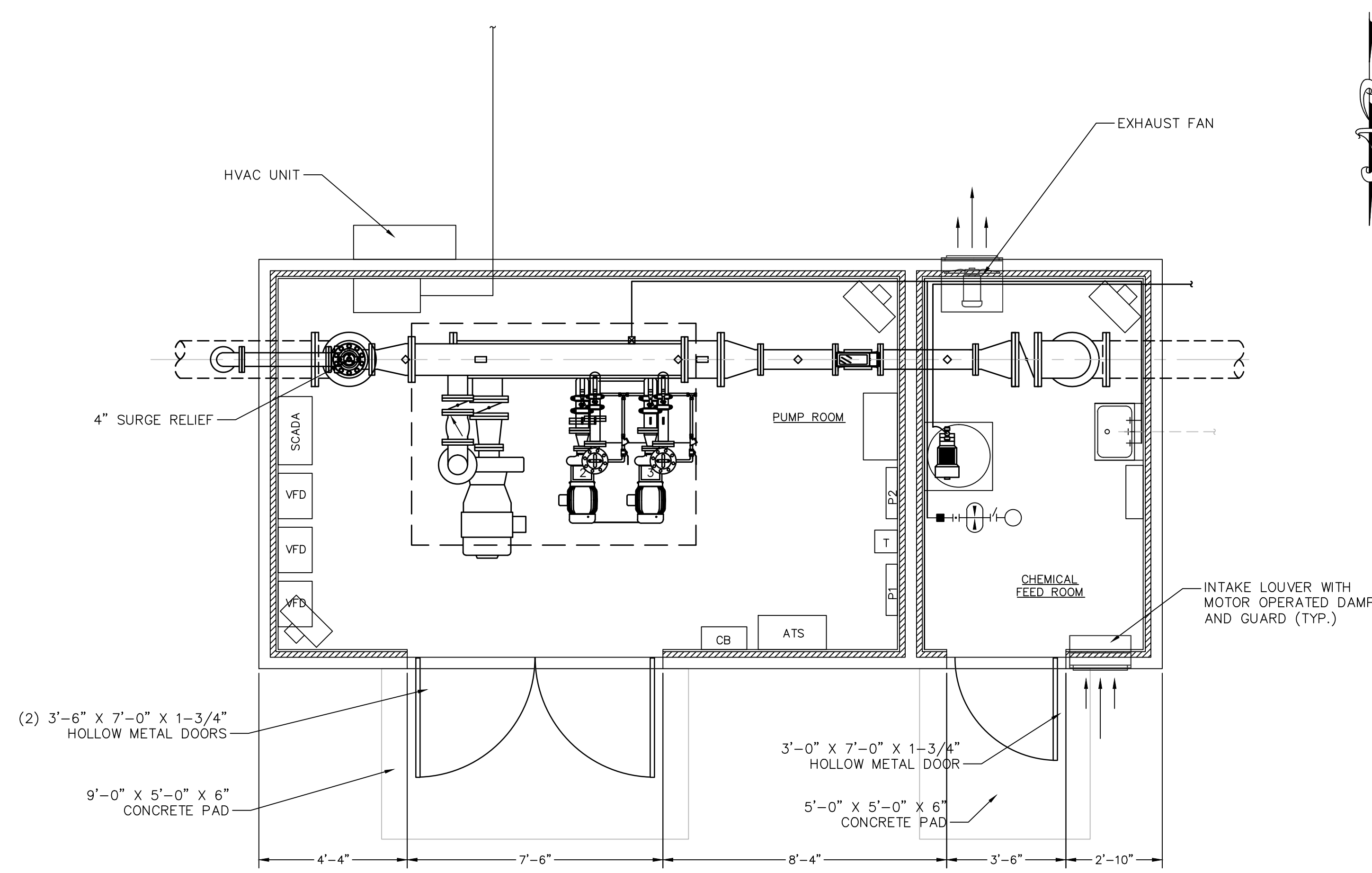


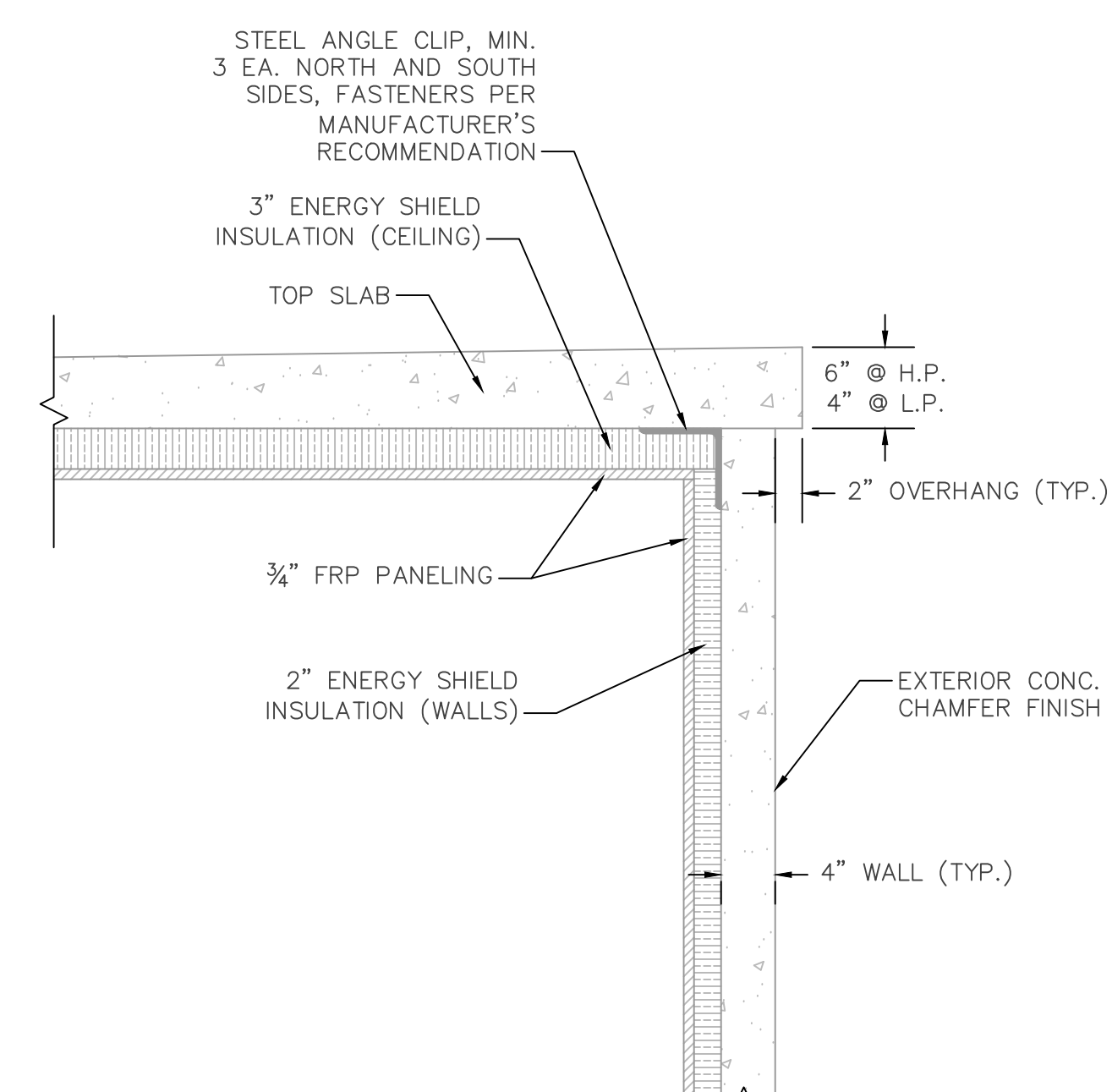
**NORTH ELEVATION**  
SCALE: 1/4" = 1'-0"



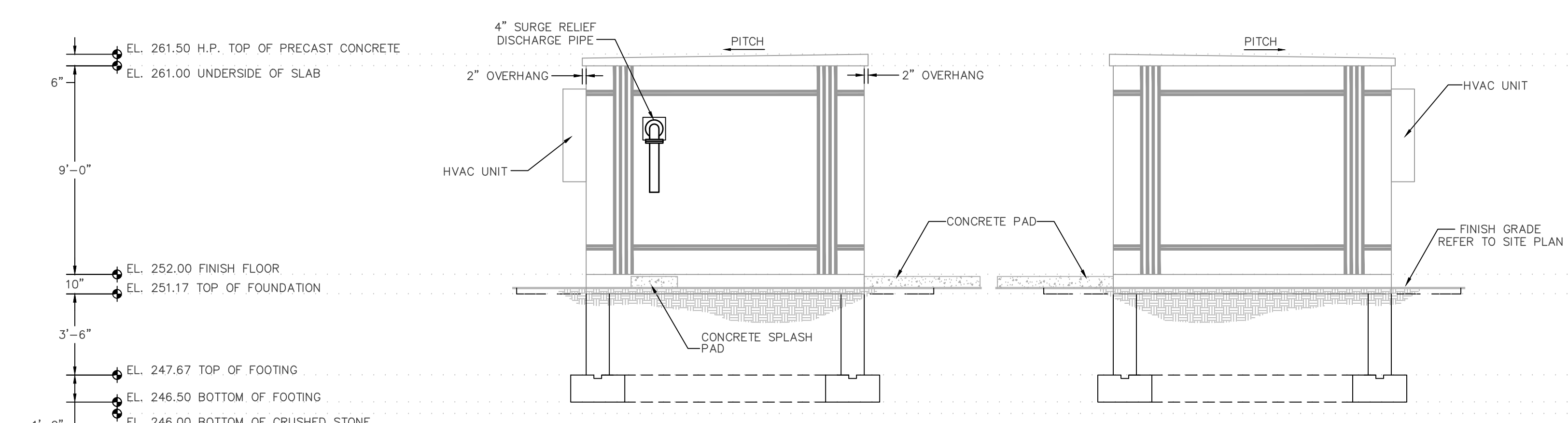
**SOUTH ELEVATION**  
SCALE: 1/4" = 1'-0"



**FLOOR PLAN**  
SCALE: 3/8" = 1'-0"



**TYPICAL WALL / ROOF SECTION**  
SCALE: 1" = 1'-0"



**EAST ELEVATION**  
SCALE: 1/4" = 1'-0"

**WEST ELEVATION**  
SCALE: 1/4" = 1'-0"

C:\D002\M-1\adm\LOCALS\1\Temp\Publication\_880\3331 R48D BPS DES Sheets 2012.dwg

REVISIONS			AMORY ENGINEERS, P.C.			AMORY ENGINEERS, P.C.			WATER POLLUTION CONTROL AUTHORITY	
NO.	ITEM	DATE	DUXBURY, MASSACHUSETTS			DRAWN BY: PGB			LEDYARD, CONNECTICUT	
1	REDESIGN AS NEW BPS	9/27/12	FILE NAME: AS SHOWN			SCALE: AS SHOWN			CONSTRUCTION OF BOOSTER PUMPING STATION	
2	GU COMMENTS / TWO BUILDINGS	11/6/12	JOB NO.: 3331			DWG. NO.: 1651			TO SERVE ALJEN HEIGHTS WATER EXTENSION	
3	CT DPH SUBMITTAL	12/17/12	CHECKED BY: RSJ			DATE: 9/27/12			CONTRACT: 2013-03 (REBID)	
4	ISSUED FOR BIDDING	3/7/13	DATE: APRIL 30, 2013						PLAN AND ELEVATIONS	
5	ISSUED FOR DPH REVIEW / REBID	4/30/13							SHEET	
									4 OF 5	